

FE 2owlet-ECblue with ZAplus

for three phase alternating current, 380-480 V

ZNO63



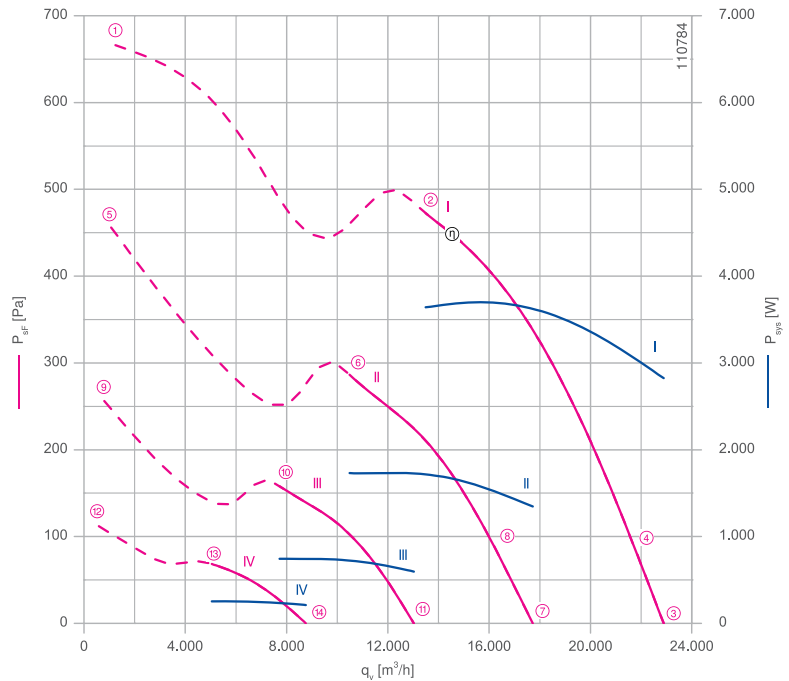
Description

Motor technology: EC
 Rated voltage U_N : 3~ 380-480 V*
 Rated frequency f_N : 50/60 Hz*
 Input power P_{sys} : 3.70 kW*
 Rated current I_N : 6.00- 4.70 A*
 Rated speed n_N : 1600 min⁻¹*
 Thermal class: THCL155*
 Min. permitted ambient temperature $t_{R(min)}$: -35 °C
 Max. permitted ambient temperature $t_{R(max)}$: 55 °C
 Electrical connection: Integrated controller
 Number of blades: 7
 Degree of protection : IP55
 Motor protection: Integrated active temperature management
 Blades: Aluminium, powder-coated, ultramarine blue
 Rotor: Aluminium, 2 coat paint, ultramarine blue
 Conformity: ErP 2015, CE, UL

ErP-data

Efficiency η_{statA} : 52.9 %
 Efficiency: $N_{actual} = 55.7 / N_{target} = 40^{**}$
 EC controller integrated
 * Rated data
 **ErP 2015

Characteristic curve



Measured in ZAplus without guard grille in installation type A according to ISO 5801

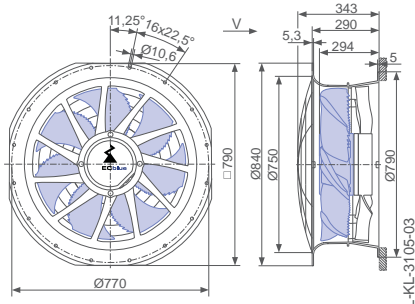
Connection diagram Page 172
1360-403

System components Page 110

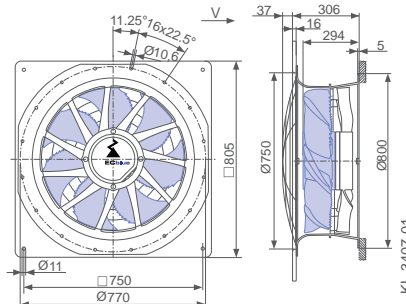
Dimensions mm

Airflow direction →

Design L - ZAplus Ontop, guard grille suction side

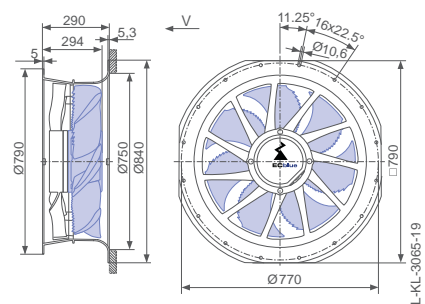


Design Q - ZAplus with adapter plate, guard grille suction side



← Airflow direction

Design L - ZAplus Ontop without guard grille



Performance data

Type	Characteristic curve	Speed n min ⁻¹	Operating point	Current	Input power	Acoustic pressure level 7m	Specific power
				I A	P _{sys} W	L _{pA} dB(A)	P _{spez} Wh/1000m ³
ZN063-ZL_GL.V7P3	I	1600	①	5.60	3700		
			②	5.60	3600		273.2
			③	4.40	2800	65	123.4
			④	4.80	3100	64	143.4
	II	1250	⑤	3.20	2100		
			⑥	2.70	1700		166.6
			⑦	2.10	1350	59	76.0
			⑧	2.40	1550	58	96.8
	III	930	⑨	1.50	920		
			⑩	1.25	740		96.5
			⑪	1.05	600	53	45.8
			⑫	0.66	300		
	IV	620	⑬	0.58	250		
			⑭	0.52	210	42	24.1

Current values determined at 400V

Fan ordering information

Design	Airflow direction		Airflow direction			
	L (guard grille suction side) Ontop	Q (guard grille suction side)	L (without guard grille) Ontop	L (guard grille pressure side) Ontop	Q (without guard grille) side	Q (guard grille pressure side)
Type	ZN063-ZIL.GL.V7P3	ZN063-ZIQ.GL.V7P3	ZN063-ZIL.GL.V7P3	ZN063-ZIL.GL.V7P3	ZN063-ZIQ.GL.V7P3	ZN063-ZIQ.GL.V7P3
Article no.	169049	169050	168049	168050	168051	168052
Weight kg	37.10	39.20	35.20	36.20	37.20	38.20

ZAplus attachable on both sides.

Control technology

Control module UNIcon Zenec switch

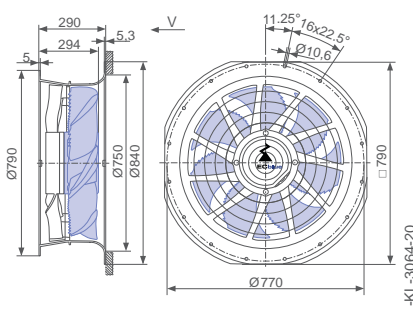


Page 130

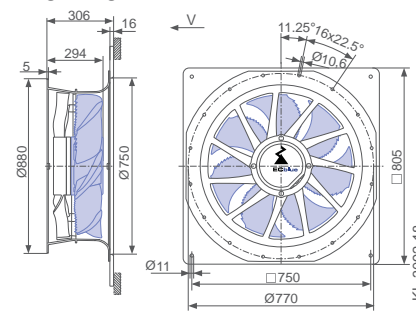


Page 158

Design L - ZAplus Ontop, guard grille pressure side



Design Q - ZAplus with adapter plate, without guard grille



Design Q - ZAplus with adapter plate, guard grille pressure side

