

Alternating shut-off damper

TATU



Description

Alternating shut-off damper

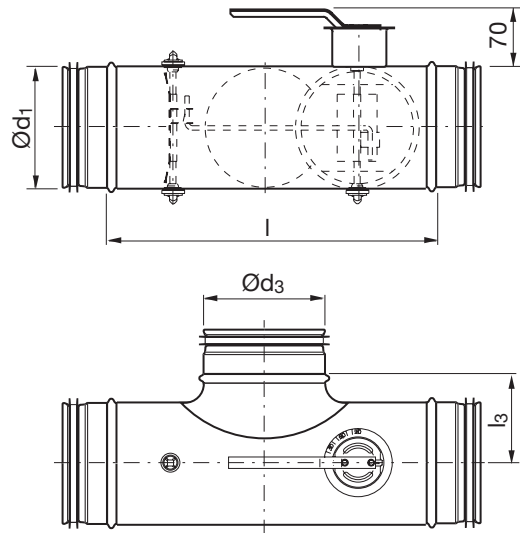
Consists of an extended T-piece and two linked DTU dampers.

Can be used for "by pass" ducts. It thereby replaces two conventional dampers + two couplings + one T-piece and is 20–30% shorter.

There is a separate assembly, measuring, balancing and maintenance instruction for this product.

Ø 100–400 fullfills pressure class A in closed position.

Dimensions



Ød ₁ nom	Ød ₃ nom	l [mm]	l ₃ [mm]	m [kg]	Sealing class past closed blade
100	100	280	65	1,20	2
125	125	345	83	1,60	2
160	160	385	105	2,20	2
200	200	425	125	3,15	2
250	250	520	150	4,50	2
315	315	585	182	6,60	2
400	400	645	225	9,80	2

Ordering example

Product	TATU	160	160
Dimension Ød ₁			
Dimension Ød ₃			



Alternating shut-off damper

TATU

Technical data

The dashed pressure drop curves refer to the flow direction in the right picture.

